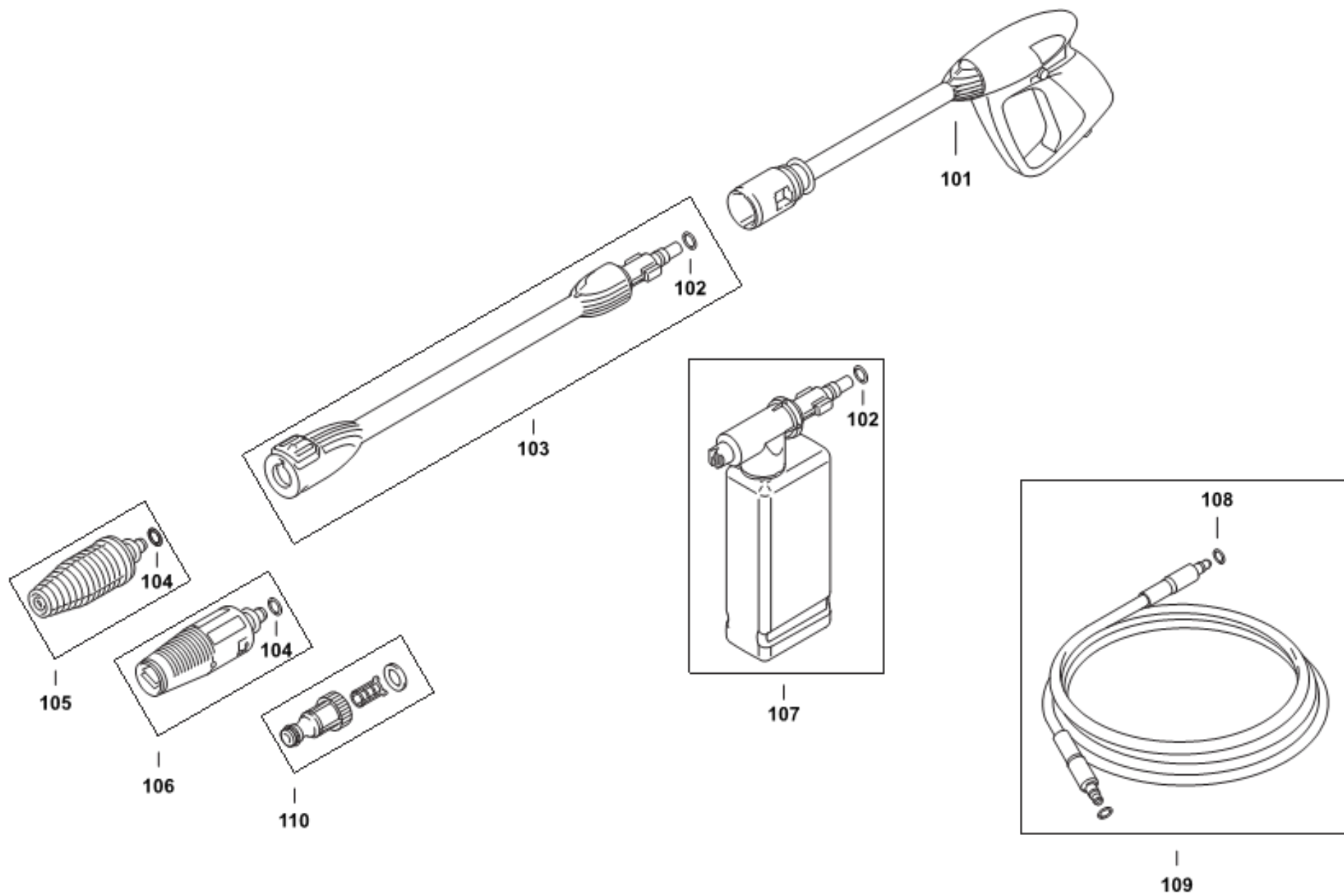
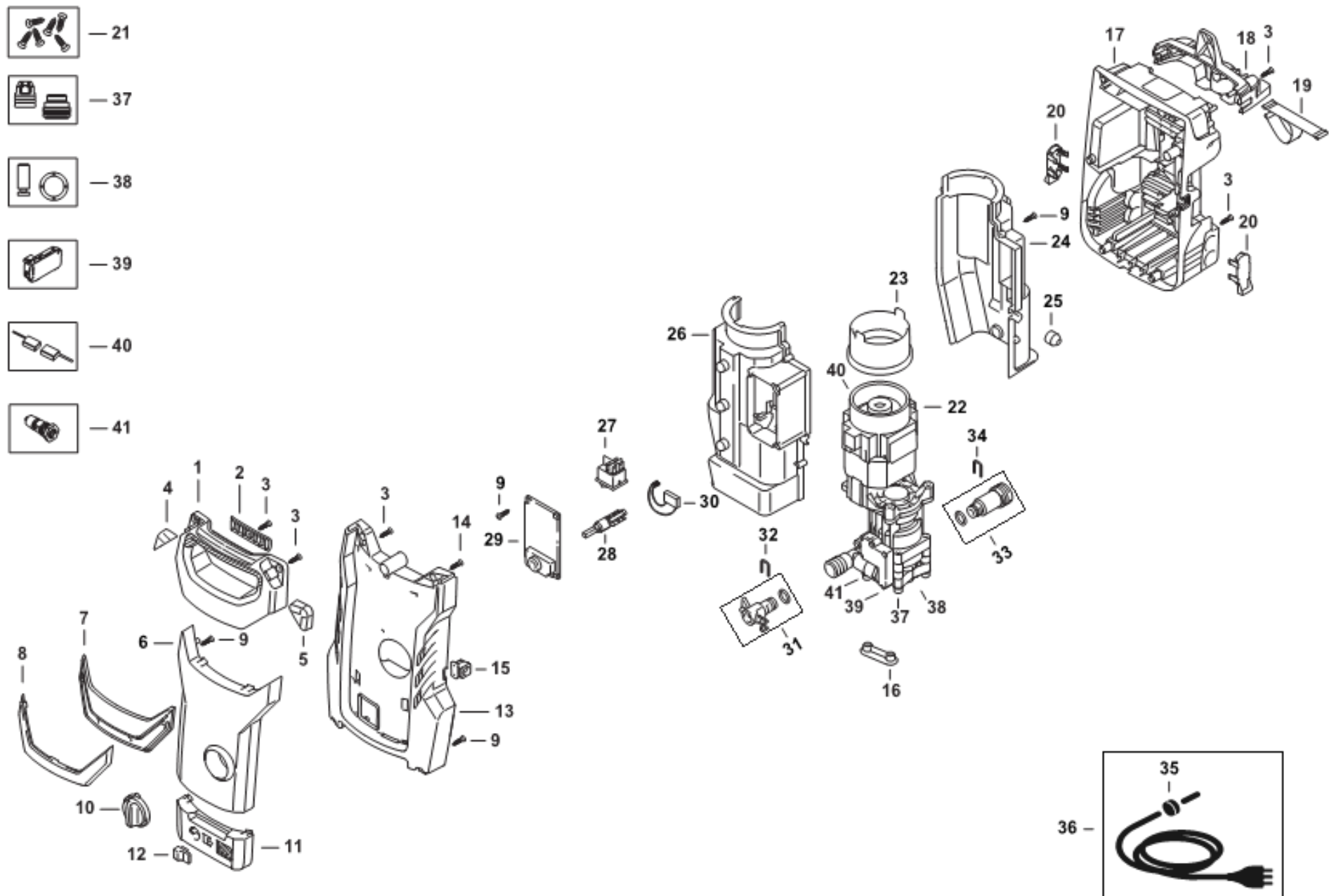


SXFPW14-E Attachments PRESSURE WASHER 1



SXFPW14-E Main unit PRESSURE WASHER 1



Parts List SXFPW14-E PRESSURE WASHER 1

Item	Part Number	Qty	Part Description	General Description	Other Info	Repair Inst	Markets
1	4380920	1	HANDLE			No	QS
2	4381300	1	KNOB			No	QS
3	50943	14	SCREW			No	QS
4	4380940	1	COVER			No	QS
5	4380950	1	COVER			No	QS
6	4380911	1	GUARD			No	QS
7	4384530	1	GUARD			No	QS
8	4384540	1	GUARD			No	QS
9	3085940	14	SCREW			No	QS
10	4380255	1	KNOB			No	QS
11	4380881	1	GUARD			No	QS
12	4380397	1	BUTTON	Push-button		No	QS
13	4380900	1	CASING			No	QS
14	5460810	2	SCREW			No	QS
15	1004455-07	1	GLAND			No	QS
16	4560251	2	SUPPORT			No	QS
17	4380201	1	BASE			No	QS
18	5140205-21	1	CARRIER			No	QS
19	5140205-76	1	CARRIER			No	QS
20	4380261	2	PLUG			No	QS
21	4384920	1	SCREW KIT			No	QS
22	4384600	1	PUMP SA	Electric pump assemb		No	QS
23	4380180	1	GUARD			No	QS
24	4380170	1	CONVEYOR			No	QS
25	4720590	1	SHIM			No	QS
26	4380160	1	CONVEYOR			No	QS
27	1004700-67	1	SWITCH SA			No	QS
28	1004700-66	1	PIN			No	QS
29	3980130	1	COVER			No	QS
30	3086010	1	CAPACITOR KIT			No	QS
31	4383200	1	COUPLING			No	QS
32	1004512-08	1	FORK			No	QS

Parts List SXFPW14-E PRESSURE WASHER 1

Item	Part Number	Qty	Part Description	General Description	Other Info	Repair Inst	Markets
33	1004512-17	1	SUCTION GROUP			No	QS
34	1004512-19	1	FORK			No	QS
35	5480770	1	INDUCTOR			No	QS
36	50940	1	CORDSET			No	QS
37	5140126-09	1	VALVE AND SEAL KIT			No	QS
38	1004512-11	1	PISTONS & SEALS KIT			No	QS
39	4384400	1	KIT	TSS kit		No	QS
40	3480570	1	BRUSH PAIR			No	QS
41	4384370	1	VALVE			No	QS
101	3084962	1	HANDLE			No	QS
102	5140193-41	2	O-RING			No	QS
103	4102583	1	EXTENSION			No	QS
104	5140206-02	2	O-RING			No	QS
105	5140205-98	1	LANCE HEAD			No	QS
106	4381820	1	HEAD SA			No	QS
107	5140206-00	1	TANK			No	QS
108	5140193-42	2	O-RING			No	QS
109	4384050	1	HOSE			No	QS
110	1004712-93	1	COUPLING SA			No	QS